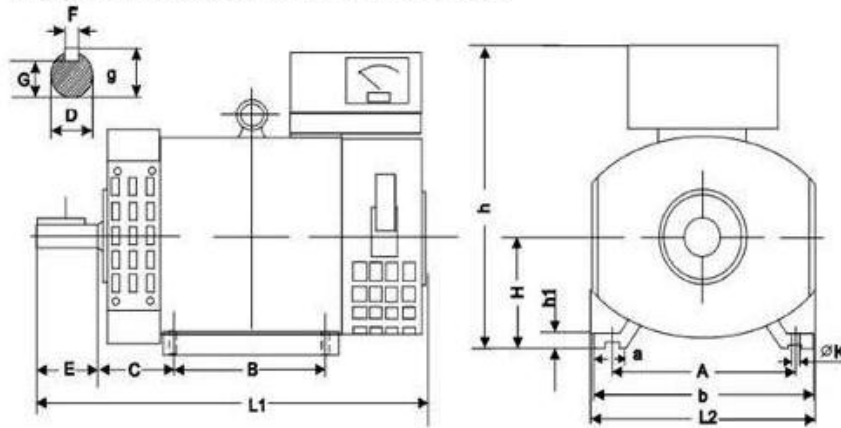


### Dimensions and Mechanical Data



www.centralgagenerator.com

OVERALL & INSTALLATION DIMENSIONS																		
Model	Output		Mounting Dimensions (mm)								Overall Dimensions (mm)							
	kw	kVA	A	B	C	D	E	F	G	H	K	a	b	h1	h	L1	L2	g
ST-24	24	30	318	228	133	ø48	110	14	42.5	200	19	60	378	30	540	610	400	51.2

- 24,000 watts continuous; surge rating approximately 10% of rated output
- 4-pole 1800 RPM generator for 60Hz
- Sealed bearings that are packed with high temperature grease
- Western style rectifier
- Diesel engine requirement approximately 35 HP
- Gasoline engine requirement is approximately 48 HP
- Shaft diameter: 48 mm
- Weight: 462 lbs.
- 2-bearing unit
- Metal fan
- 4 wire unit
- Has 4 brushes
- Series wiring provides 240Volts at 100 amps (provides the ability to center tap to get 120VAC at the same time)
- Parallel wiring provides 120Volts at 200 amps (120VAC only)
- Comes with the operations manual
- Bearings can support vertical installations