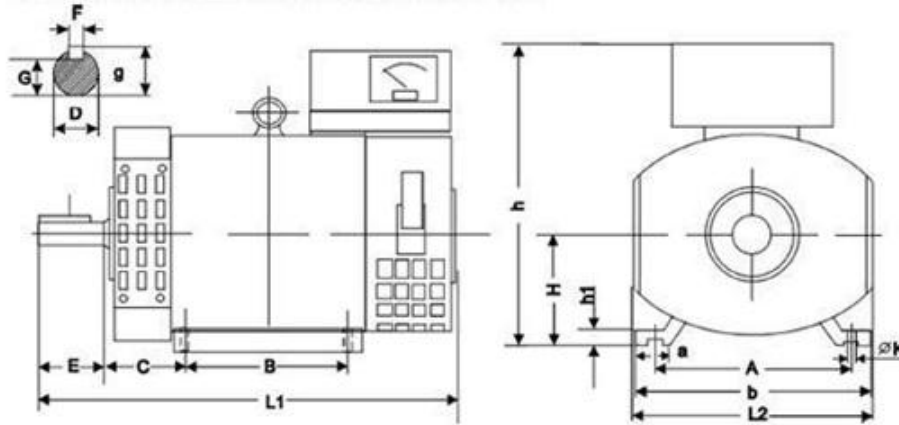


Dimensions and Mechanical Data



www.centralgagenerator.com

OVERALL & INSTALLTION DIMENSIONS

Model	Output		Mounting Dimensions (mm)									Overall Dimensions (mm)						
	kw	kVA	A	B	C	D	E	F	G	H	K	a	b	h1	h	L1	L2	g
ST-5	5	6.3	254	254	108	ø38	80	12	33	160	15	50	310	25	455	580	325	40.8

- 5,000 watts continuous: surge rating approximately 10% of rated output
- 4-pole 1800 RPM generator for 60Hz
- Sealed bearings that are packed with high temperature grease
- Western style rectifier
- Diesel engine requirement approximately 7.5 HP
- Gasoline engine requirement is approximately 10 HP
- Shaft diameter: 38 mm
- Weight: 206 lbs.
- 2-bearing unit
- Metal fan
- 4 wire unit
- Has 4 brushes
- Series wiring provides 240Volts at 20.8 amps (provides the ability to center tap to get 120VAC at the same time)
- Parallel wiring provides 120Volts at 41.6 amps (120VAC only)
- Comes with the operations manual
- Bearings can support vertical installations